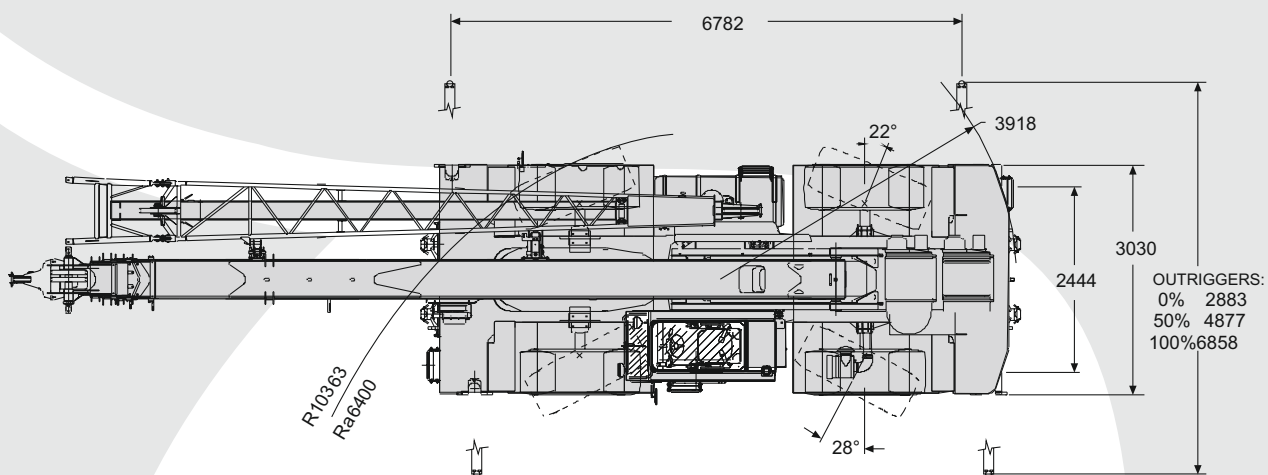
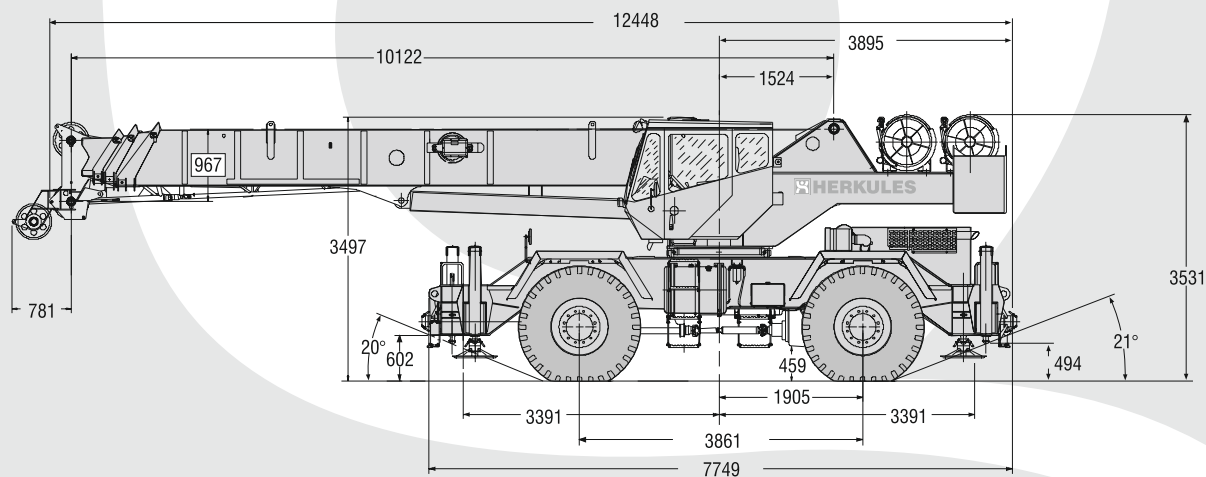


GROVE RT 650E

MAXIMUM CAPACITY: 50 TON



TECHNICAL DATA:

MAXIMUM CAPACITY: 50 TONS
MAXIMUM COUNTERWEIGHT: 5,1 TONS
WORK AREA: 360°

BOOM LENGTH:

- MAIN BOOM: 32 m
- FIX JIB: 15,5 m

GROVE RT 650E

MAXIMUM CAPACITY: 50 TON



10,1 m - 32 m




360°



5,1 t



Lifting capacities GROVE RT 650E- Main boom + counterweight: 5,1 t

 :m	10,1 m	12,2 m	15,2 m	18,3 m	21,3 m	24,4 m	27,4 m	30,5 m	32 m	 :m
3	45,000	36,525	30,500							3
3.5	41,000	36,050	29,475	25,425						3.5
4	36,425	34,250	28,375	24,700						4
4.5	31,950	31,875	27,325	23,625	20,500					4.5
5	28,950	29,175	26,100	22,550	19,650					5
6	23,425	23,625	23,550	20,375	17,675	15,625	14,225			6
7	19,600	19,850	20,050	18,875	17,075	14,375	13,125	9,525	8,320	7
8	13,475	16,700	16,925	17,050	16,200	13,125	12,000	9,525	8,320	8
9		14,250	14,500	14,575	14,025	12,075	10,900	9,525	8,320	9
10		9,285	12,475	12,450	12,025	10,775	9,940	9,050	8,320	10
12			8,905	9,055	9,110	8,900	8,615	7,695	7,905	12
14				6,765	6,870	6,860	6,855	6,505	6,595	14
16				5,155	5,240	5,260	5,290	5,320	5,340	16
18					4,040	4,095	4,145	4,195	4,225	18
20						3,210	3,275	3,345	3,380	20
22						2,490	2,595	2,675	2,715	22
24							2,030	2,135	2,180	24
26								1,685	1,740	26
28								1,295	1,360	28
30									1,035	30
Obciążenia poziome (t)	20,0	14,0	7,0	3,6	2,0	1,5	1,1			Obciążenia poziome (t)
Ilość pasm liny	10	6	5	4	4	3	3			Ilość pasm liny

* tylko nad tyłem



32 m



8,8 m - 15,5 m





360°



5,1 t



Lifting capacities GROVE RT 650E- Main boom + fix jib + counterweight: 5,1 t

 :m	8,8 m			15,5 m			 :m
	0°	25°	45°	0°	25°	45°	
9	4,080						9
10	4,080						10
12	4,080	3,585		2,720			12
14	3,835	3,305	2,565	2,720			14
16	3,445	3,015	2,515	2,685			16
18	3,130	2,770	2,420	2,445	1,790		18
20	2,825	2,535	2,335	2,245	1,670	1,240	20
22	2,610	2,365	2,165	2,070	1,570	1,190	22
24	2,215	2,200	2,010	1,925	1,475	1,150	24
26	1,760	2,015	1,855	1,775	1,395	1,115	26
28	1,375	1,610	1,695	1,650	1,325	1,085	28
30	1,055	1,260		1,490	1,260	1,060	30
32	775	950		1,200	1,205	1,045	32
34	535	680		950	1,155	1,025	34
36				730	990		36
38				535	755		38
40					515		40

GROVE RT 650E

MAXIMUM CAPACITY: 50 TON



10,1 m - 21,3 m



360° / 0°



5,1 t



Lifting capacities GROVE RT 650E- without outriggers + counterweight: 5,1 t

 m	Stationary (0 kph)					Driving (<4 kph)					 m
	360°					0°					
	10,1 m	12,2 m	15,2 m	18,3 m	21,3 m	10,1 m	12,2 m	15,2 m	18,3 m	21,3 m	
3	17,475	17,475				13,675	13,675	8,090			3
3.5	15,400	14,900	13,850			13,675	13,675	8,090			3.5
4	13,150	12,625	11,850			12,550	11,975	8,090			4
4.5	10,775	10,775	10,250	9,645		10,750	10,325	8,090	8,090	6,690	4.5
5	8,965	8,975	8,965	8,455		9,315	8,990	8,090	7,965	6,690	5
6	6,475	6,485	6,495	6,505	6,425	7,175	6,975	6,670	6,260	6,050	6
7	4,345	4,855	4,870	4,875	4,880	5,670	5,530	5,325	5,000	4,890	7
8	3,700	3,710	3,720	3,730	3,730	4,585	4,450	4,305	4,035	3,990	8
9		2,935	2,950	2,955	2,960		3,620	3,505	3,270	3,270	9
10		2,280	2,295	2,300	2,305		2,980	2,865	2,645	2,685	10
12			1,375	1,380	1,385			1,910	1,705	1,790	12
14									1,030	1,135	14
16									545	640	16

GROVE RT 650E

MAXIMUM CAPACITY: 50 TON



Working range: main boom + fix jib

