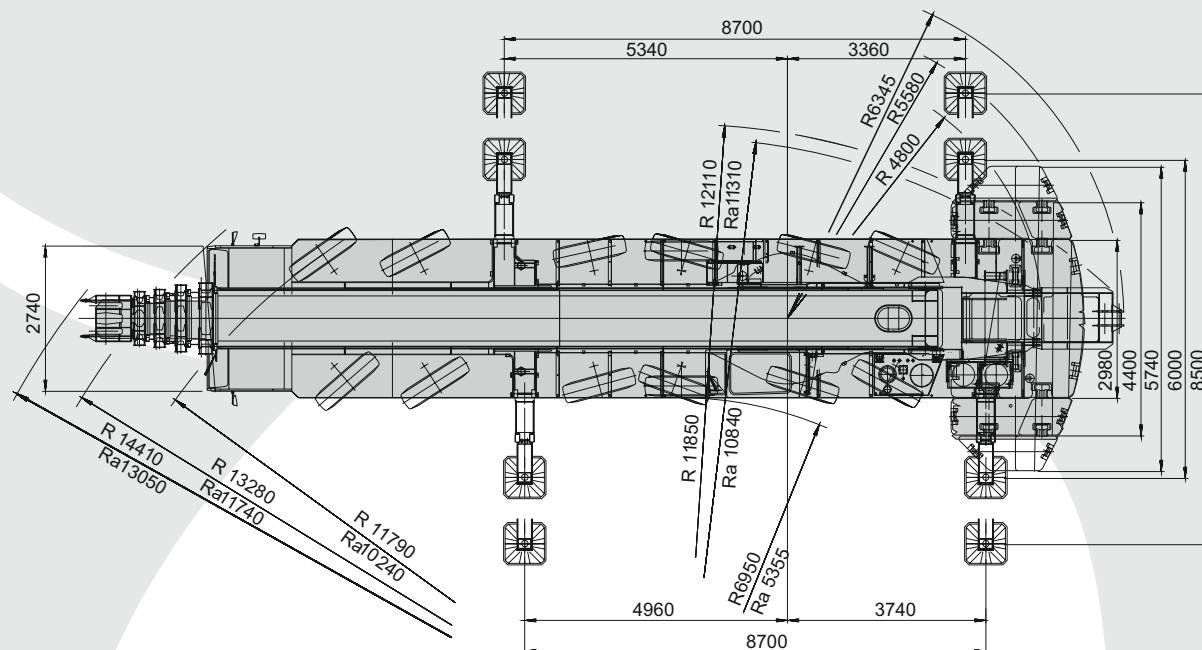
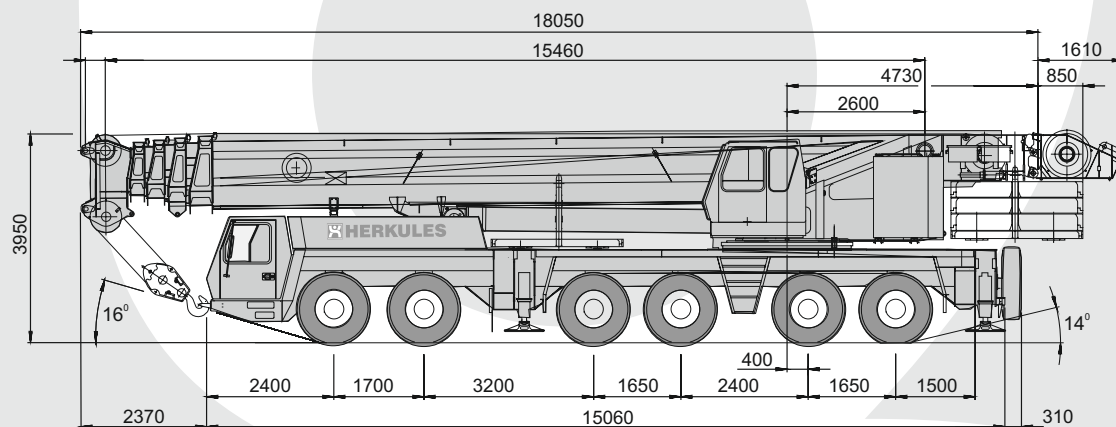


GROVE GMK 6300

MAXIMUM CAPACITY: 300 TONS

 **HERKULES**



TECHNICAL DATA:

MAXIMUM CAPACITY: 300 TONS
MAXIMUM COUNTERWEIGHT: 100 TONS
WORK AREA: 360°

BOOM LENGTH:
• MAIN BOOM: 60 m
• FIX JIB: 19 m

GROVE GMK 6300

MAXIMUM CAPACITY: 300 TONS



15,5 m - 60,0m



360°



100 t

Lifting capacities GROVE GMK 6300 - Main boom + counterweight: 100 tons

↙ ↑m ↘	15,5*	15,5	21,0	26,7	32,3	37,9	43,4	48,9	54,4	60	↙ ↑m ↘
2,8	300,0**										2,8
3,0	225,0	194,0	174,0	145,0							3,0
4,0	183,0	165,0	143,0	145,0	108,0						4,0
5,0	160,0	143,0	143,0	142,0	108,0	82,0					5,0
6,0	139,0	126,0	126,0	125,0	108,0	82,0	61,0				6,0
7,0	119,0	112,0	112,0	111,0	108,0	82,0	60,0	47,0			7,0
8,0	104,0	101,0	102,0	101,0	101,0	81,0	59,5	46,5	35,0		8,0
9,0	91,5	91,0	92,5	92,5	92,0	77,5	59,0	46,0	35,0	29,0	9,0
10,0	82,0	82,0	83,0	83,0	82,5	74,0	58,0	46,0	35,0	29,0	10,0
11,0	74,0	74,0	75,0	75,0	74,5	70,5	55,5	45,0	35,0	29,0	11,0
12,0	64,0	64,0	68,0	68,0	67,5	67,0	52,5	44,5	35,0	29,0	12,0
13,0			62,5	62,5	61,5	63,0	49,5	44,0	35,0	29,0	13,0
14,0			57,5	57,5	56,5	58,0	47,0	41,5	35,0	29,0	14,0
15,0			53,0	53,0	53,5	53,5	44,5	39,5	35,0	29,0	15,0
16,0			49,0	49,0	50,5	49,5	42,0	38,0	34,5	28,5	16,0
18,0			37,0	42,5	44,0	43,5	38,0	34,5	31,5	28,0	18,0
20,0				37,5	38,5	38,5	34,5	31,0	29,0	26,5	20,0
22,0				34,0	34,0	33,5	31,5	28,5	26,5	25,0	22,0
24,0					30,5	29,5	28,0	26,0	24,0	23,5	24,0
26,0					27,5	26,5	26,5	23,5	22,0	21,5	26,0
28,0					24,5	24,0	24,5	21,5	20,0	19,6	28,0
30,0						21,5	22,5	20,0	18,8	18,2	30,0
32,0							19,6	20,5	18,5	17,4	32,0
34,0							18,1	18,7	17,2	16,3	34,0
36,0								17,1	16,2	15,2	36,0
38,0								15,8	15,3	14,2	38,0
40,0									14,1	13,3	40,0
42,0									13,6	12,6	42,0
44,0									12,7	12,0	44,0
46,0										11,1	46,0
48,0										10,2	48,0
50,0										9,0	50,0
52,0										8,4	52,0
54,0										7,7	54,0
56,0										5,2	56,0



15,5 m - 60,0m



360°



50 t

Lifting capacities GROVE GMK 6300 - Main boom + counterweight: 50 tons

↙ ↑m ↘	15,5	21,0	26,7	32,3	37,9	43,4	48,9	54,4	60	↙ ↑m ↘	
3,0	185,0	174,0	145,0							3,0	
4,0	157,0	156,0	145,0	108,0						4,0	
5,0	136,0	136,0	136,0	108,0	82,0					5,0	
6,0	116,0	118,0	118,0	108,0	82,0	61,0				6,0	
7,0	99,5	101,0	101,0	100,0	82,0	60,0	47,0			7,0	
8,0	86,5	87,5	87,5	87,0	81,0	59,5	46,5	35,0		8,0	
9,0	75,5	77,0	77,0	76,0	76,5	59,0	46,0	35,0	29,0	9,0	
10,0	66,0	67,0	67,5	69,0	67,0	58,0	46,0	35,0	29,0	10,0	
11,0	58,0	59,5	59,5	61,0	59,5	55,5	45,0	35,0	29,0	11,0	
12,0	52,0	54,0	55,0	54,5	53,0	49,5	44,5	35,0	29,0	12,0	
13,0		49,0	49,5	49,5	48,0	44,5	43,0	35,0	29,0	13,0	
14,0		44,5	45,0	45,0	43,5	41,5	39,0	35,0	29,0	14,0	
15,0		40,5	41,0	41,0	39,5	39,5	36,0	35,0	29,0	15,0	
16,0		36,5	37,5	37,5	36,0	36,0	34,5	32,0	28,5	16,0	
18,0		30,0	31,0	31,0	32,0	31,0	29,5	28,0	27,5	18,0	
20,0			26,0	26,0	27,0	26,0	26,0	25,5	24,0	20,0	
22,0			22,5	23,5	23,5	22,5	23,0	22,0	21,0	22,0	
24,0				20,5	20,0	20,5	20,0	19,5	18,2	24,0	
26,0				17,9	17,5	17,9	17,4	16,9	16,0	26,0	
28,0				15,8	15,4	15,7	15,3	14,7	14,0	28,0	
30,0					14,0	13,9	13,4	12,9	12,2	30,0	
32,0					12,4	12,3	11,8	11,3	10,6	32,0	
34,0						11,1	11,0	10,5	9,2	34,0	
36,0							9,8	9,3	8,7	36,0	
38,0							8,7	8,2	7,7	38,0	
40,0								7,3	6,8	40,0	
42,0								6,5	5,9	42,0	
44,0								5,7	5,2	44,0	
46,0									4,5	46,0	
48,0									3,9	48,0	
50,0									3,3	50,0	
52,0										2,6	52,0
54,0										2,1	54,0
										1,6	54,0

GROVE GMK 6300

MAXIMUM CAPACITY: 300 TONS



54,4m - 60,0m



360°



7,8m



100t

Lifting capacities GROVE GMK 6300 - Main boom + fix jib 11/19 m. + counterweight: 100 tons

m	54,4				60,0				m
	11,0		19,0		11,0		19,0		
	5°	30°	5°	30°	5°	30°	5°	30°	
11,0	18,6				16,0				11,0
12,0	18,4			7,8	16,0			7,6	12,0
13,0	18,2			7,8	16,0			7,6	13,0
14,0	17,9			7,5	16,0			7,5	14,0
15,0	17,7	13,5		7,3	16,0	12,7		7,3	15,0
16,0	17,5	13,2		7,1	15,9	12,6		7,1	16,0
18,0	17,1	12,8		6,7	15,7	12,4		6,8	18,0
20,0	16,6	12,5		6,4	15,4	12,3		6,4	20,0
22,0	16,2	12,1		6,1	15,1	12,1		6,2	22,0
24,0	15,8	11,8		5,8	14,8	11,9		5,9	24,0
26,0	15,5	11,5		5,6	14,6	11,6		5,7	26,0
28,0	15,0	11,3		5,3	14,3	11,3		5,4	28,0
30,0	14,6	10,8		5,1	14,1	10,8		5,2	30,0
32,0	14,2	10,2		4,9	13,8	10,3		5,0	32,0
34,0	13,7	10,1		4,7	13,6	10,1		4,8	34,0
36,0	13,2	9,9		4,6	13,3	10,0		4,7	36,0
38,0	12,7	9,7		4,4	12,8	9,8		4,5	38,0
40,0	12,3	9,6		4,3	12,4	9,7		4,4	40,0
42,0	11,5	9,5		4,1	11,4	9,6		4,3	42,0
44,0	10,7	9,4		4,0	10,4	9,4		4,1	44,0
46,0	10,1	9,3		3,9	9,9	9,4		4,0	46,0
48,0	9,5	9,2		3,8	9,3	9,3		3,9	48,0
50,0	8,7	9,0		3,7	8,8	8,9		3,8	50,0
52,0	8,3	8,4		3,6	8,3	8,6		3,7	52,0
54,0	7,9	8,0		3,5	7,6	8,0		3,6	54,0
56,0	7,6			3,4	6,9	7,3		3,5	56,0
58,0	7,1			3,3	6,3	6,6		3,5	58,0
60,0				3,3	5,7			3,4	60,0
62,0				3,2	5,2			3,3	62,0
64,0				3,2	4,7			3,3	64,0
66,0				3,1				3,2	66,0
68,0				3,1				3,2	68,0
70,0				3,1				3,1	70,0
72,0								3,1	72,0
74,0								3,1	74,0

GROVE GMK 6300

MAXIMUM CAPACITY: 300 TONS



Working range: main boom + fix jib

